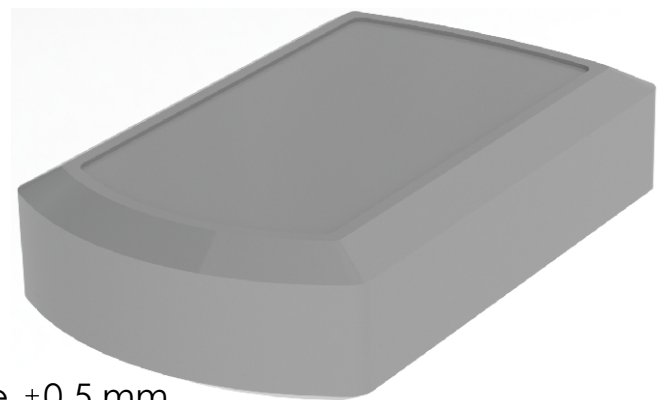


SECTION A-A



Dimensional tolerance $\pm 0,5$ mm

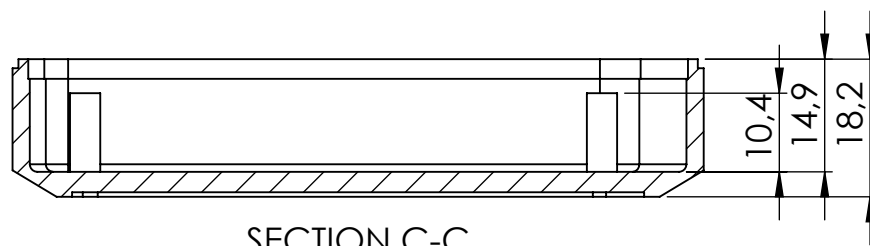
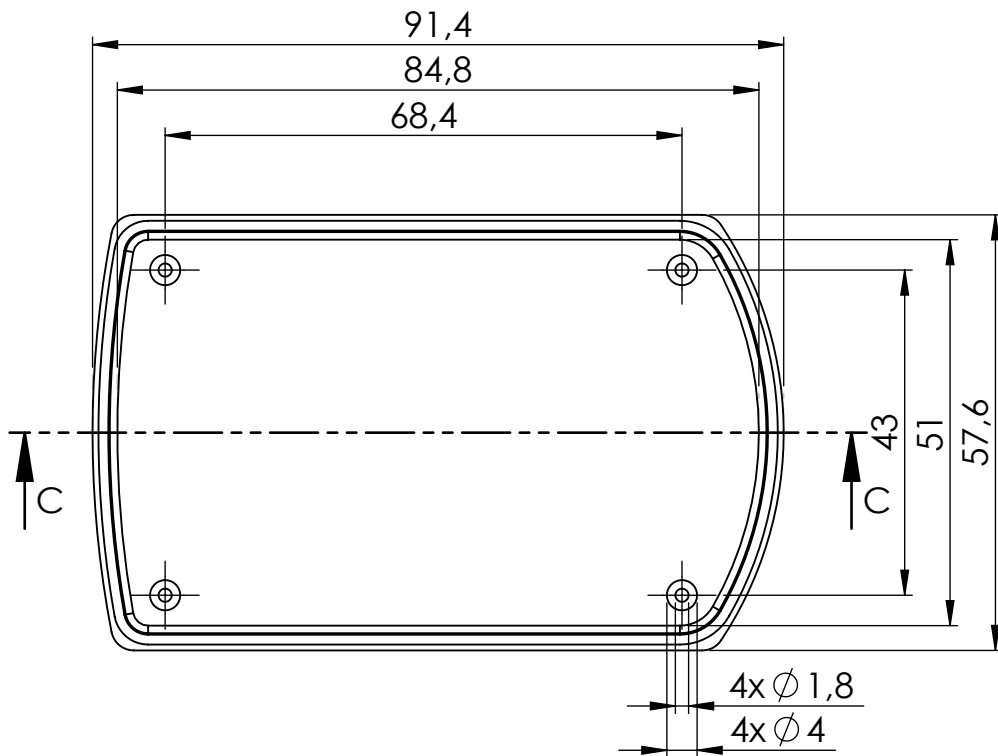
- Components:
- body
 - cover
 - 4x screw
 - gasket

Format A4	Scale 1:1
Product No. KM-100H	



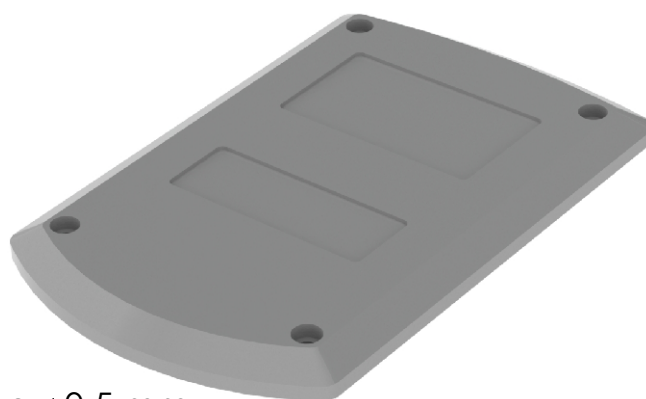
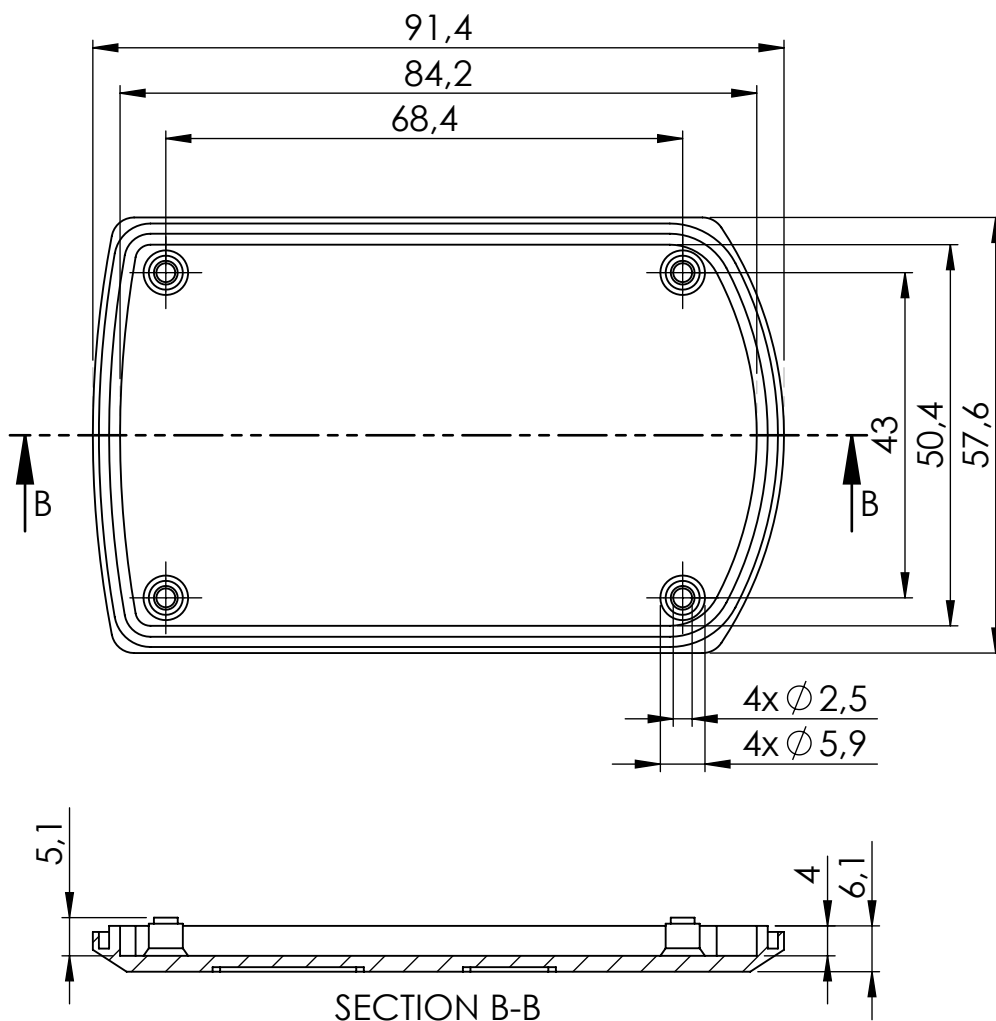
MASZCZYK[®]
PLASTIC ENCLOSURES

„MASZCZYK”
05-071 Sulejów-Miłosna
ul. Mickiewicza 10
tel: (22) 783-45-20 kom: 602-726-086



Dimensional tolerance $\pm 0,5$ mm

Format A4	Scale 1:1	 MASZCZYK [®] PLASTIC ENCLOSURES „MASZCZYK” 05-071 Sulejówek-Miłosna ul. Mickiewicza 10 tel: (22) 783-45-20 kom: 602-726-086
Product No. KM-100H (body)		



Dimensional tolerance $\pm 0,5$ mm

Format A4	Scale 1:1	 MASZCZYK [®] PLASTIC ENCLOSURES „MASZCZYK” 05-071 Sulejówek-Miłosna ul. Mickiewicza 10 tel: (22) 783-45-20 kom: 602-726-086
Product No. KM-100H (cover)		