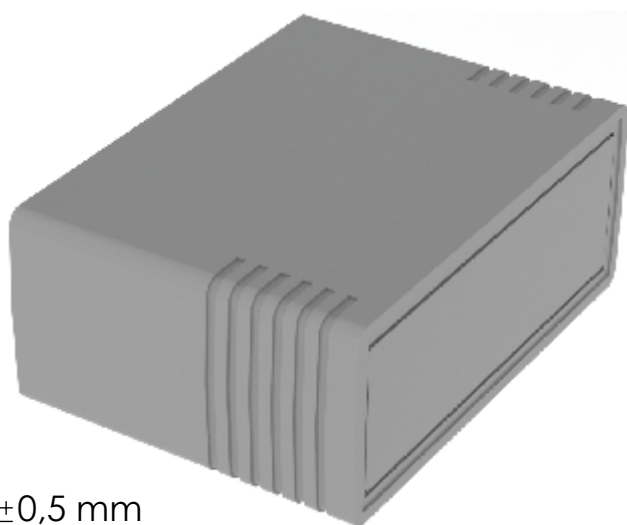


SECTION A-A



Dimensional tolerance $\pm 0,5$ mm

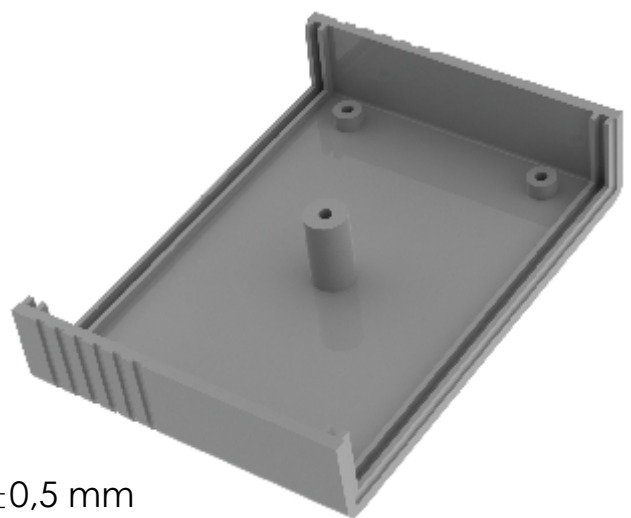
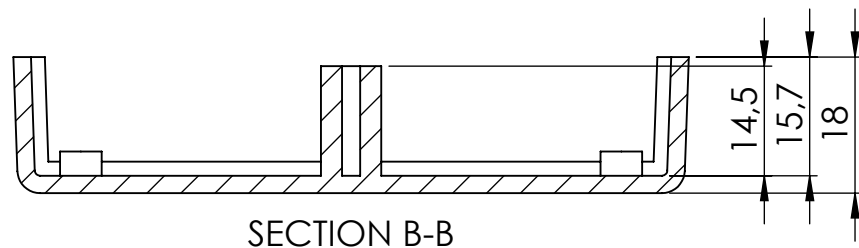
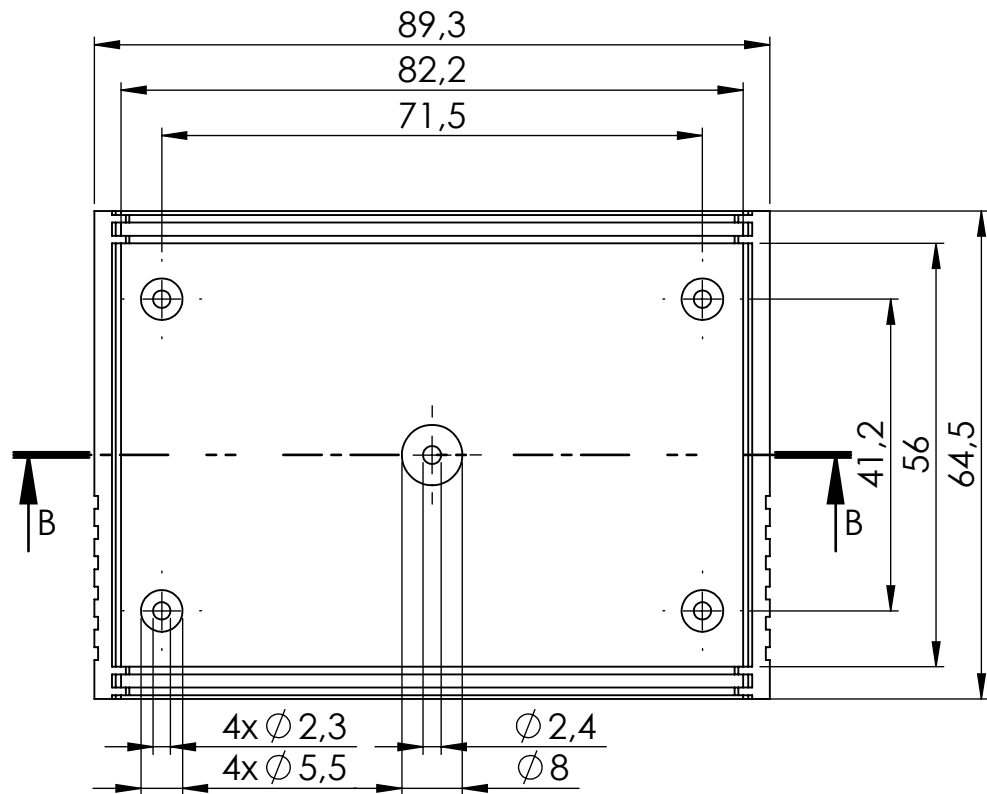
Components:
 - 2x body
 - 2x panel
 - 1x screw

Format A4	Scale 1:1
Product No. KM-35BN	



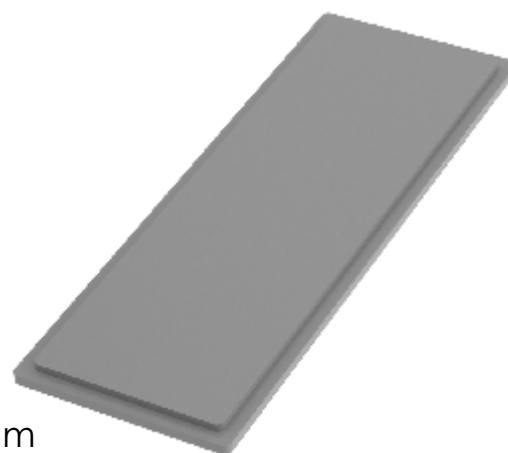
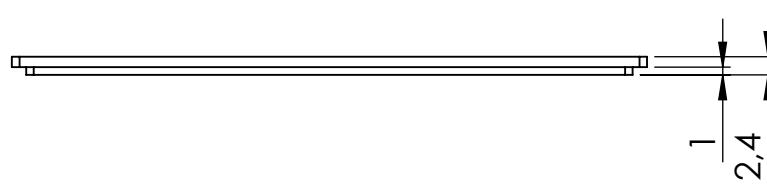
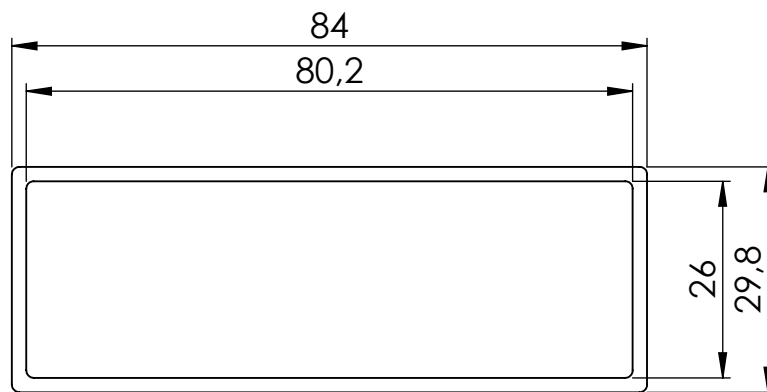
MASZCZYK[®]
 PLASTIC ENCLOSURES

„MASZCZYK”
 05-071 Sulejówek-Miłosna
 ul. Mickiewicza 10
 tel: (22) 783-45-20 kom: 602-726-086




Dimensional tolerance $\pm 0,5$ mm

Format A4	Scale 1:1	 MASZCZYK [®] PLASTIC ENCLOSURES „MASZCZYK” 05-071 Sulejówek-Miłosna ul. Mickiewicza 10 tel: (22) 783-45-20 kom: 602-726-086
Product No. KM-35BN (body)		



Dimensional tolerance $\pm 0,5$ mm

Format A4	Scale 1:1	 MASZCZYK [®] PLASTIC ENCLOSURES „MASZCZYK” 05-071 Sulejówek-Miłosna ul. Mickiewicza 10 tel: (22) 783-45-20 kom: 602-726-086
Product No. KM-35BN (panel)		