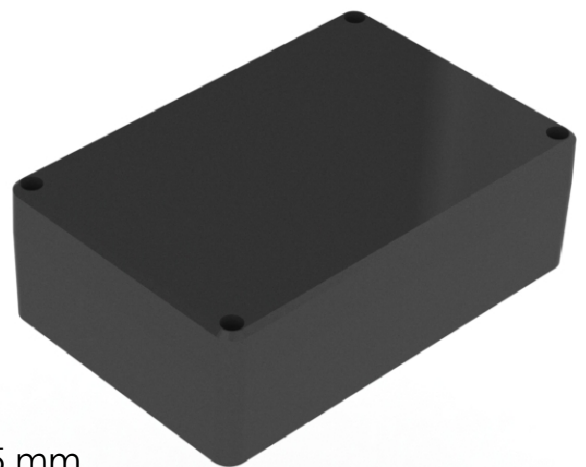


SECTION A-A



Dimensional tolerance  $\pm 0,5$  mm

Components:  
 - body  
 - cover  
 - 4x screw

|                      |              |
|----------------------|--------------|
| Format<br>A4         | Skala<br>1:1 |
| Nr produktu<br>KM-75 |              |

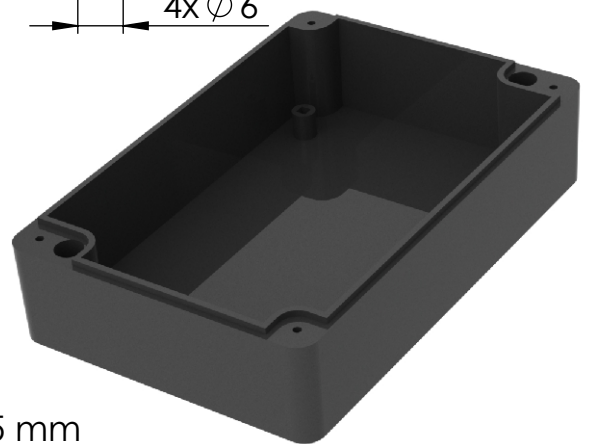
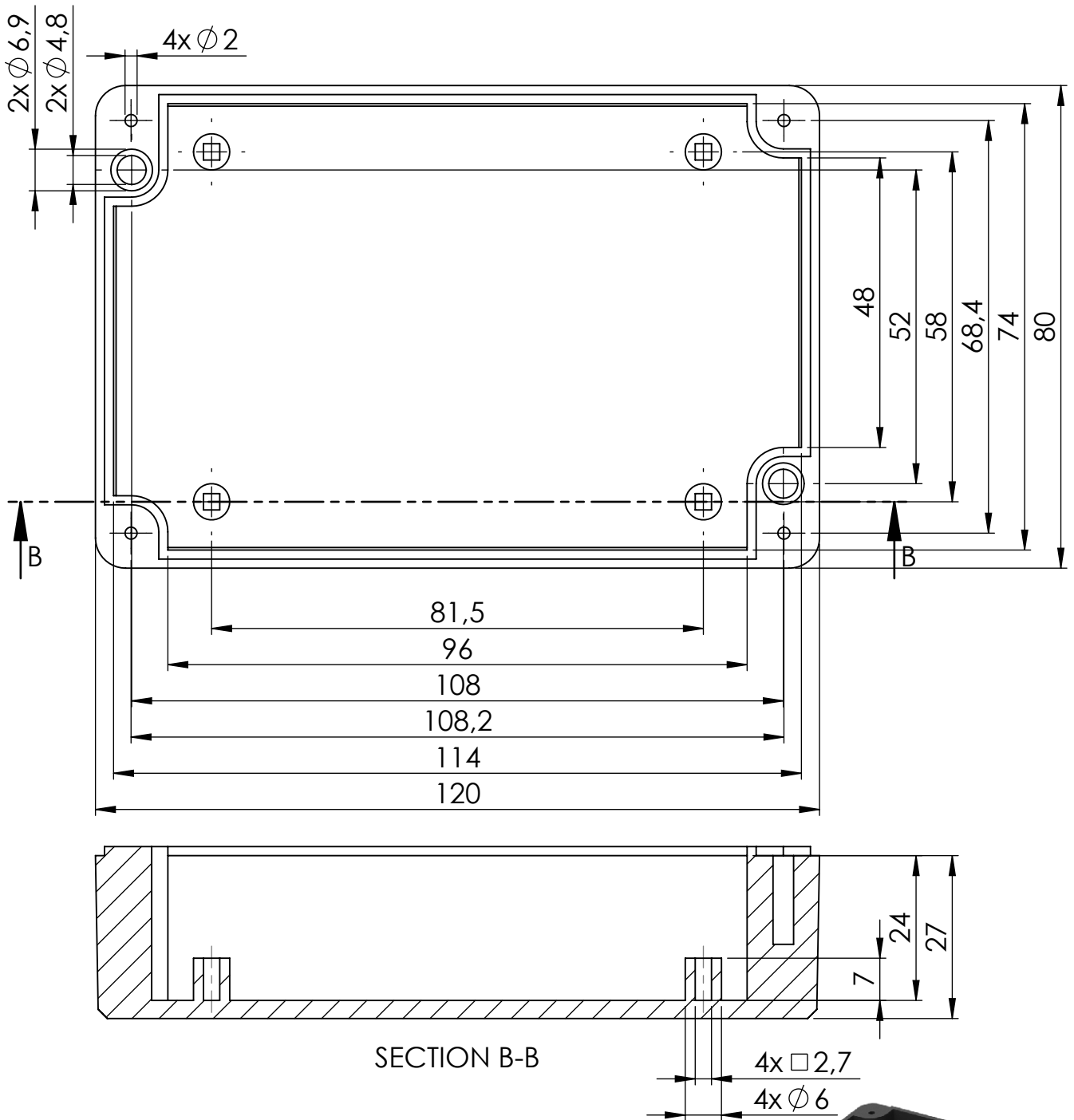


**MASZCZYK**®

OBUDOWY DLA ELEKTRONIKI

„MASZCZYK”  
 05-071 Sulejów-Miłosna  
 ul. Mickiewicza 10

tel: (22) 783-45-20 kom: 602-726-086



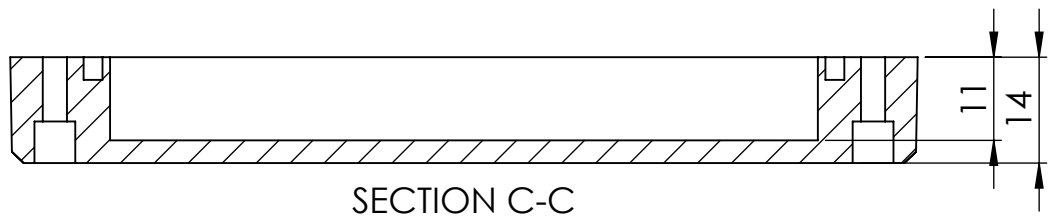
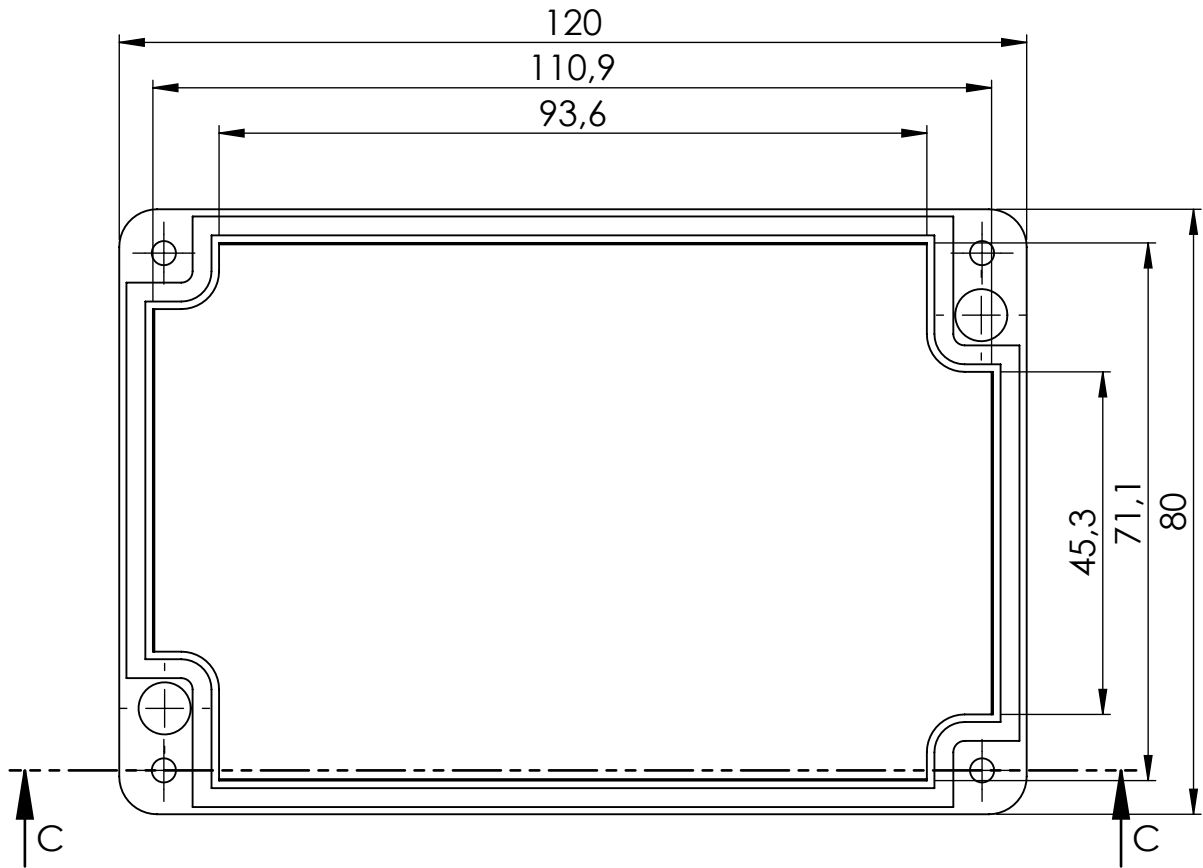
Dimensional tolerance  $\pm 0,5$  mm

|                             |              |
|-----------------------------|--------------|
| Format<br>A4                | Scale<br>1:1 |
| Product No.<br>KM-75 (body) |              |



**MASZCZYK**<sup>®</sup>  
PLASTIC ENCLOSURES

„MASZCZYK”  
05-071 Sulejówek-Miłosna  
ul. Mickiewicza 10  
tel: (22) 783-45-20 kom: 602-726-086



Dimensional tolerance  $\pm 0,5$  mm

|                              |              |
|------------------------------|--------------|
| Format<br>A4                 | Scale<br>1:1 |
| Product No.<br>KM-75 (cover) |              |



**MASZCZYK**<sup>®</sup>  
PLASTIC ENCLOSURES

„MASZCZYK”  
05-071 Sulejówek-Miłosna  
ul. Mickiewicza 10  
tel: (22) 783-45-20 kom: 602-726-086