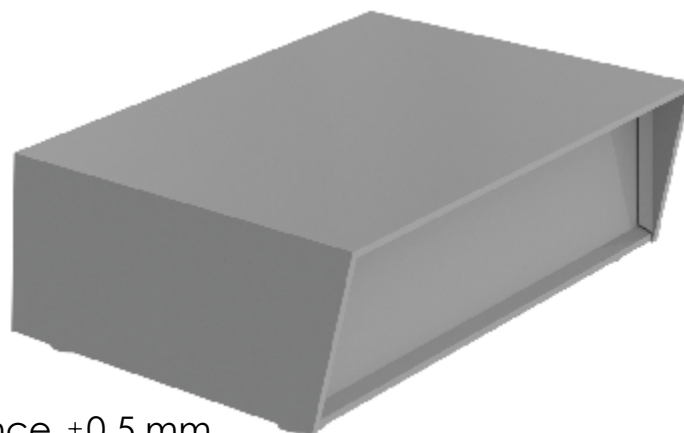


SECTION A-A



Dimensional tolerance $\pm 0,5$ mm

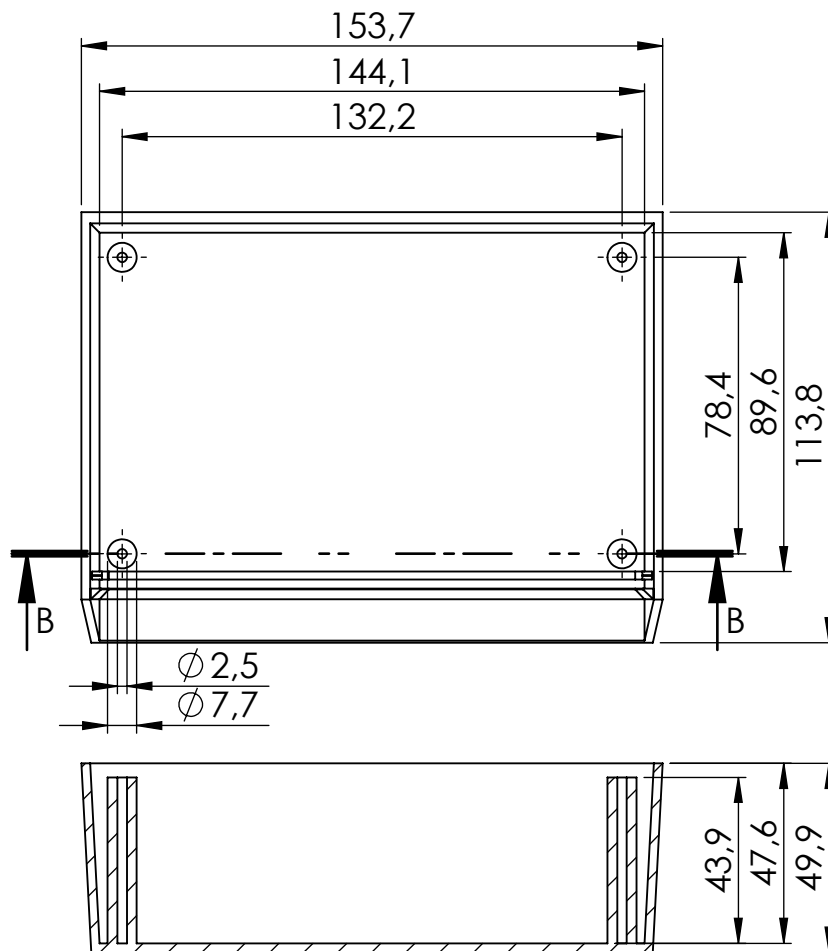
- Components:
- body
 - cover
 - panel
 - 4x foot
 - 4x screw

Format A4	Scale 1:2
Product No. KM-50	

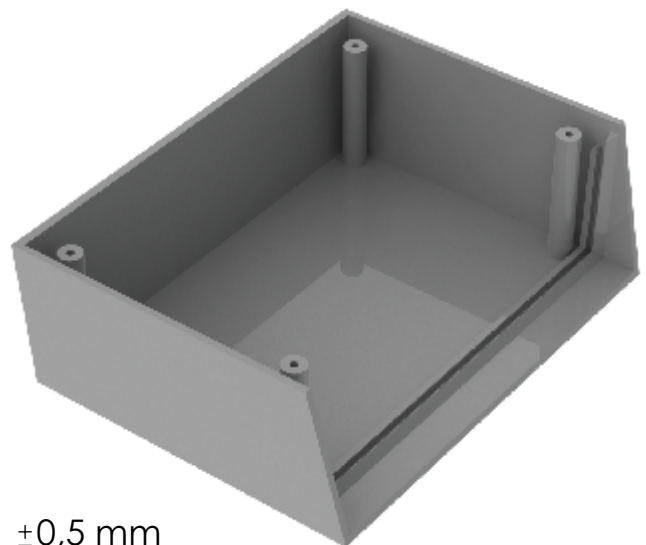


MASZCZYK[®]
PLASTIC ENCLOSURES

„MASZCZYK”
05-071 Sulejówek-Miłosna
ul. Mickiewicza 10
tel: (22) 783-45-20 kom: 602-726-086

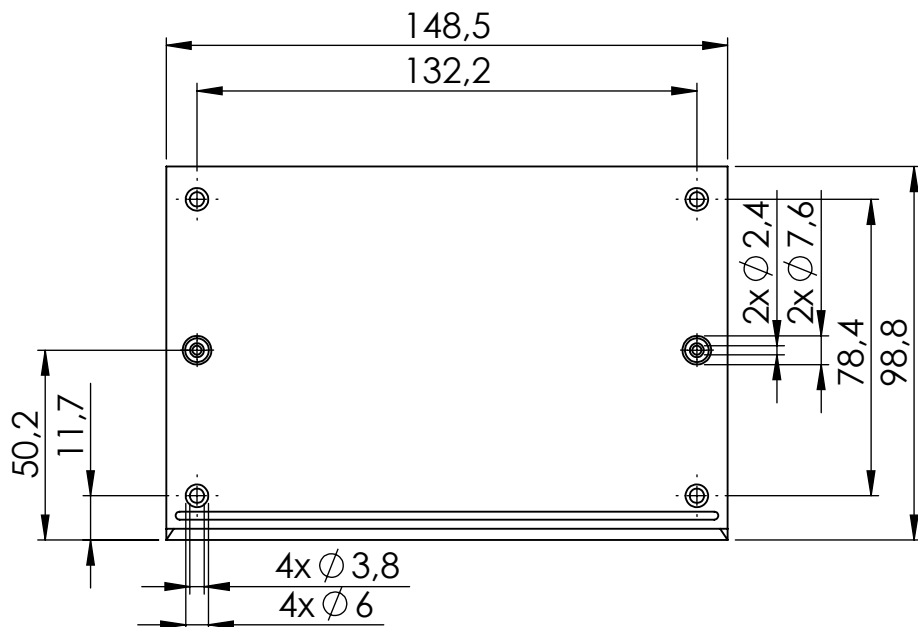


SECTION B-B

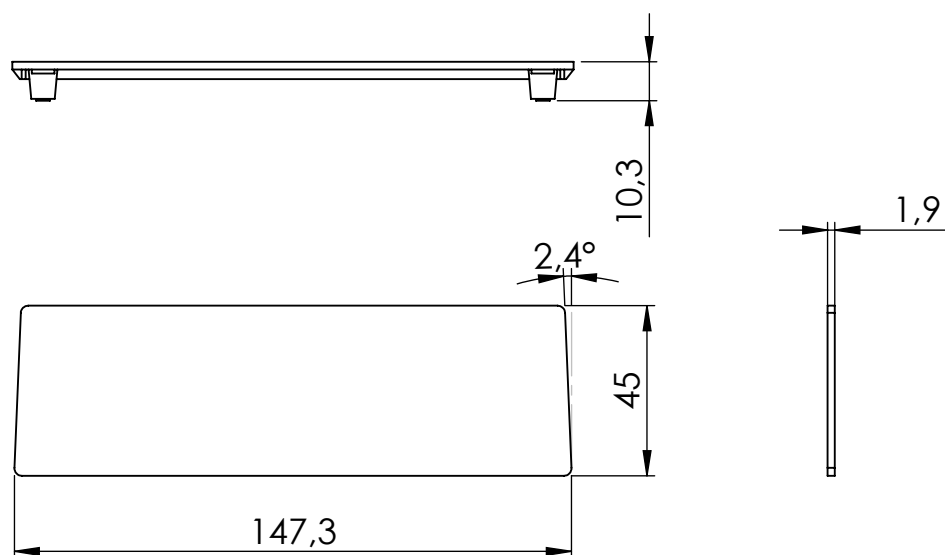


Dimensional tolerance $\pm 0,5$ mm

Format A4	Scale 1:2	 MASZCZYK [®] PLASTIC ENCLOSURES „MASZCZYK” 05-071 Sulejówek-Miłosna ul. Mickiewicza 10 tel: (22) 783-45-20 kom: 602-726-086
Product No. KM-50 (body)		



Panel



Dimensional tolerance $\pm 0,5$ mm

Format A4	Scale 1:2	 MASZCZYK [®] PLASTIC ENCLOSURES „MASZCZYK” 05-071 Sulejówek-Miłosna ul. Mickiewicza 10 tel: (22) 783-45-20 kom: 602-726-086
Product No. KM-50 (cover + panel)		