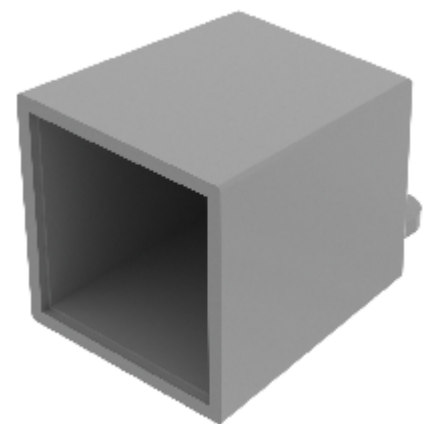
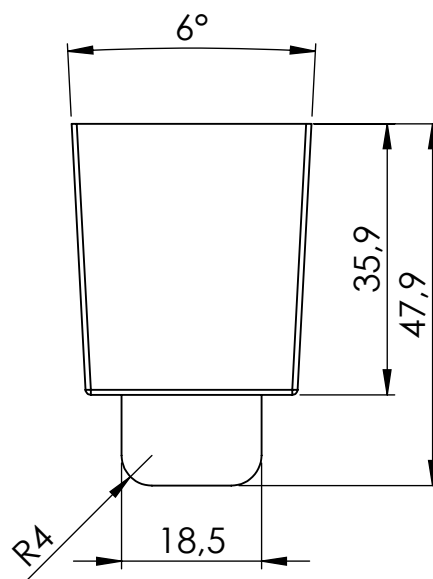
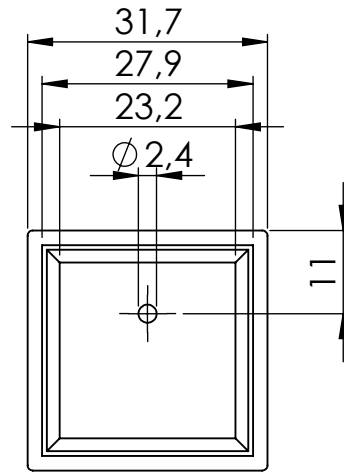


Dimensional tolerance $\pm 0,5$ mm

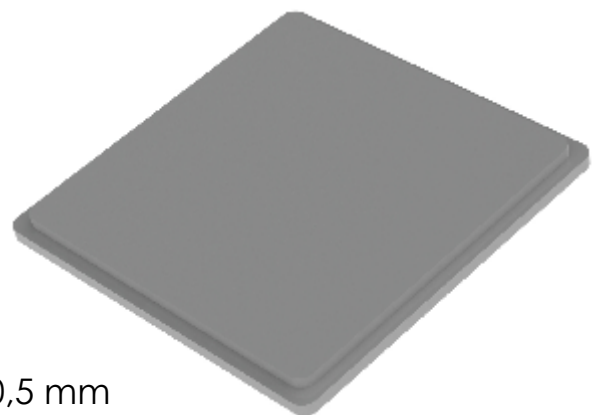
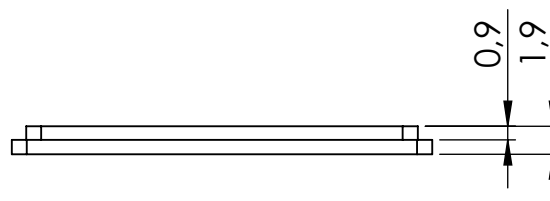
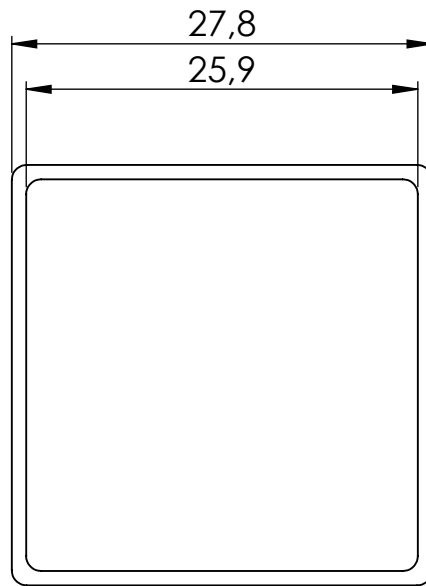
Components:
- body
- cover

Format A4	Scale 1:1	 MASZCZYK [®] PLASTIC ENCLOSURES „MASZCZYK” 05-071 Sulejówek-Miłosna ul. Mickiewicza 10 tel: (22) 783-45-20 kom: 602-726-086
Product No. KM-16B		



Dimensional tolerance $\pm 0,5$ mm

Format A4	Scale 1:1	 MASZCZYK [®] PLASTIC ENCLOSURES „MASZCZYK” 05-071 Sulejówek-Miłosna ul. Mickiewicza 10 tel: (22) 783-45-20 kom: 602-726-086
Product No. KM-16B (body)		



Dimensional tolerance $\pm 0,5$ mm

Format A4	Scale 2:1	 MASZCZYK [®] PLASTIC ENCLOSURES
Product No. KM-16B (cover)		