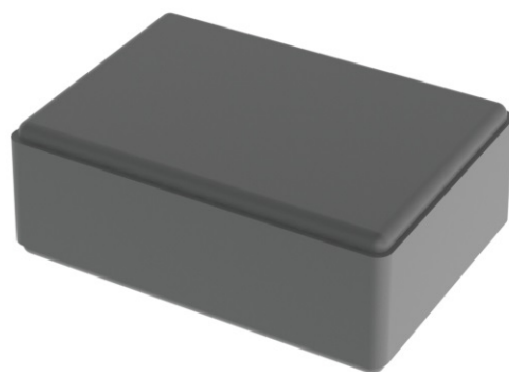


SECTION A-A



Dimensional tolerance $\pm 0,5$ mm

Components:

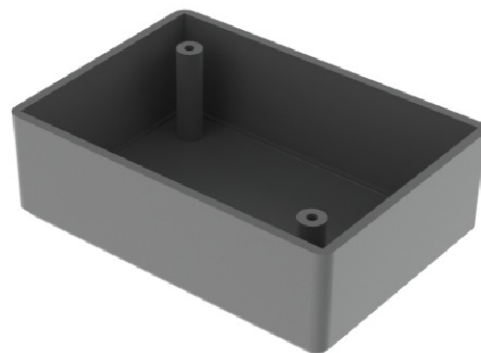
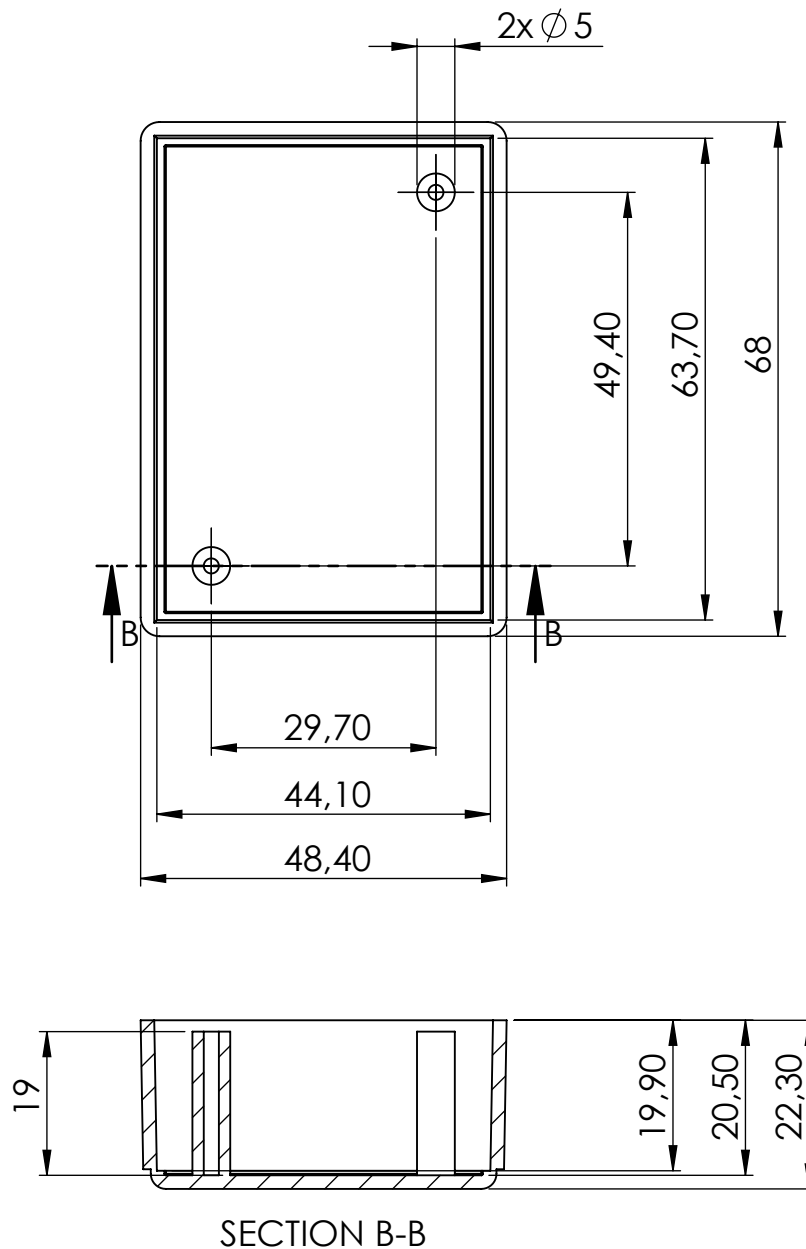
- body
- cover
- 2x screw

| | |
|-------------------------|--------------|
| Format A4 | Scale 1:1 |
| Product No. KM-27C/2 | |




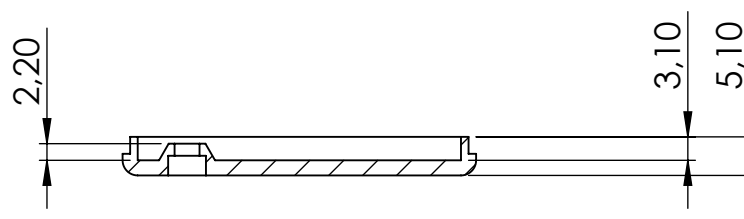
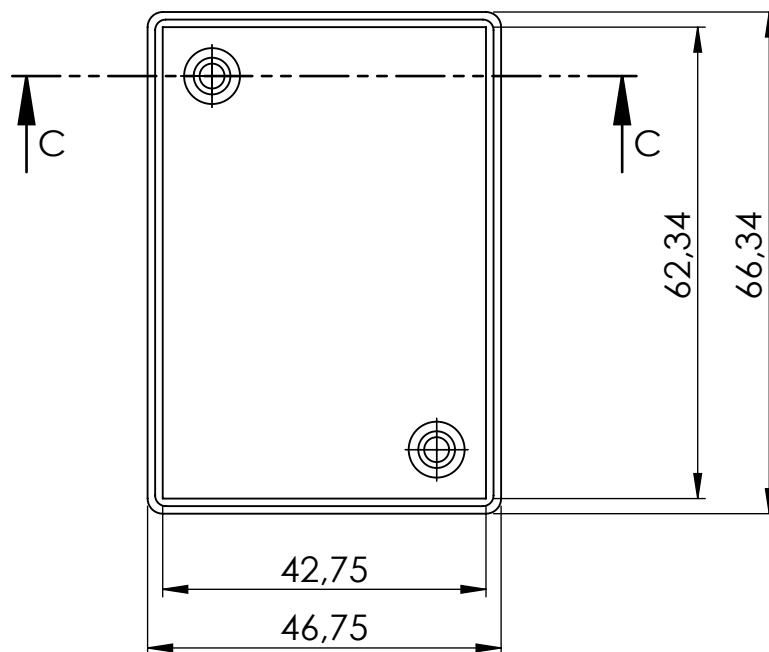
MASZCZYK[®]
PLASTIC ENCLOSURES

„MASZCZYK”
05-071 Sulejów-Miłosna
ul. Mickiewicza 10
tel: (22) 783-45-20 kom: 602-726-086



Dimensional tolerance $\pm 0,5$ mm


| | | |
|--------------------------------|--------------|--|
| Format A4 | Scale 1:1 |  MASZCZYK [®] PLASTIC ENCLOSURES „MASZCZYK” 05-071 Sulejówek-Miłosna ul. Mickiewicza 10 tel: (22) 783-45-20 kom: 602-726-086 |
| Product No. KM-27C/2 (body) | | |



SECTION C-C



Dimensional tolerance $\pm 0,5$ mm

| | | |
|---------------------------------|--------------|--|
| Format A4 | Scale 1:1 |  MASZCZYK [®] PLASTIC ENCLOSURES „MASZCZYK” 05-071 Sulejówek-Miłosna ul. Mickiewicza 10 tel: (22) 783-45-20 kom: 602-726-086 |
| Product No. KM-27C/2 (cover) | | |