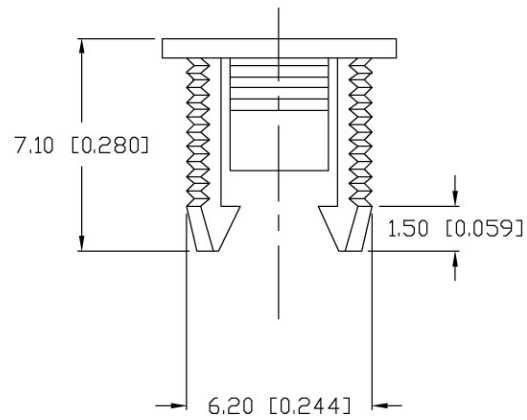
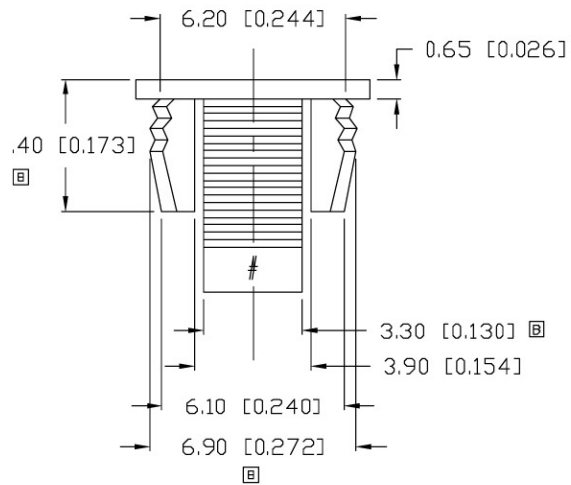
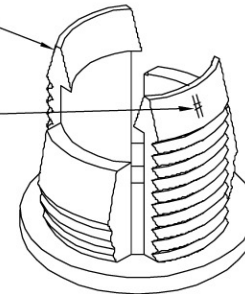


▣ LX MARKING

▣ CRAVITY # MARKING



NOTES:

1. MATERIAL: BLACK PP.
2. PANEL CUTOUT: 1/4".
3. PANEL THICKNESS: 0.050"-0.100".