

SECTION A-A



Dimensional tolerance  $\pm 0,5$  mm

- Components:
- body
  - cover
  - gasket
  - 4x screw M4

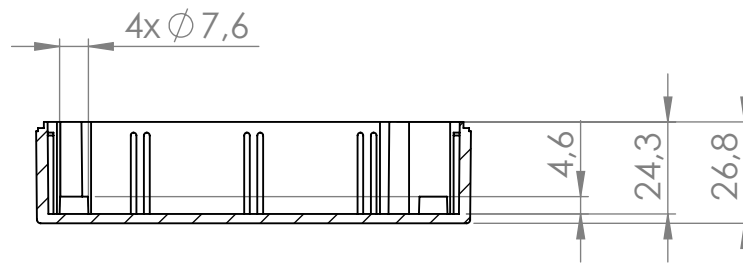
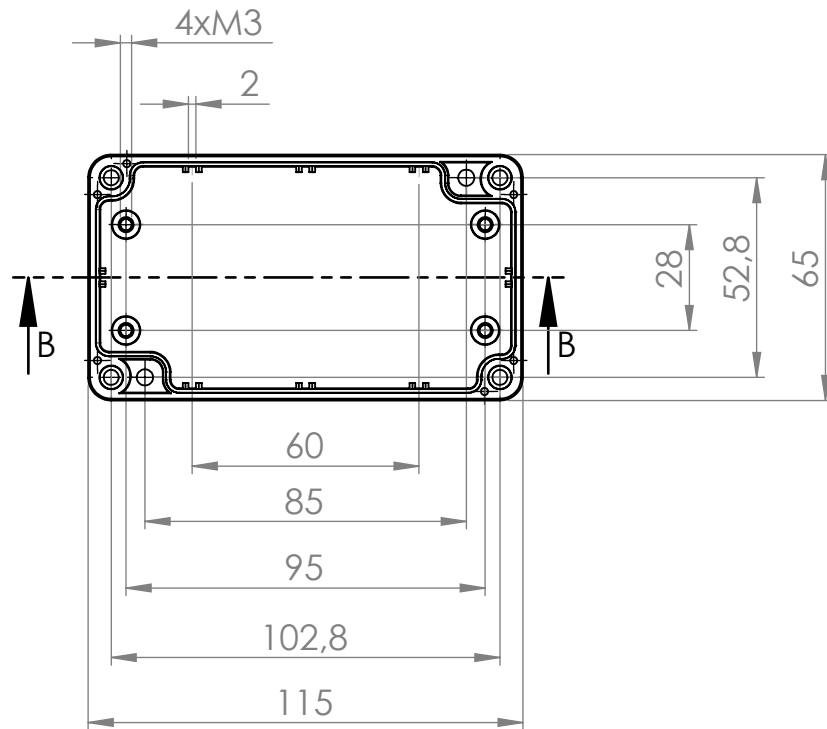
|                         |              |
|-------------------------|--------------|
| Format<br>A4            | Scale<br>1:2 |
| Product No.<br>TH - 210 |              |



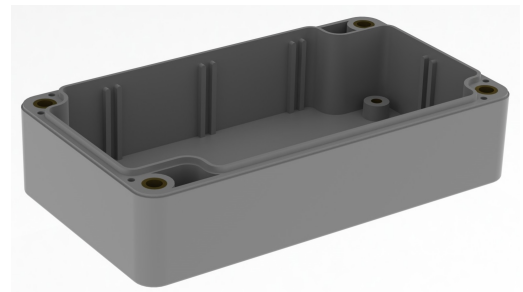
**MASZCZYK**<sup>®</sup>  
PLASTIC ENCLOSURES

„MASZCZYK”  
05-071 Sulejów-Miłosna  
ul. Mickiewicza 10  
tel: (22) 783-45-20 kom: 602-726-086

body



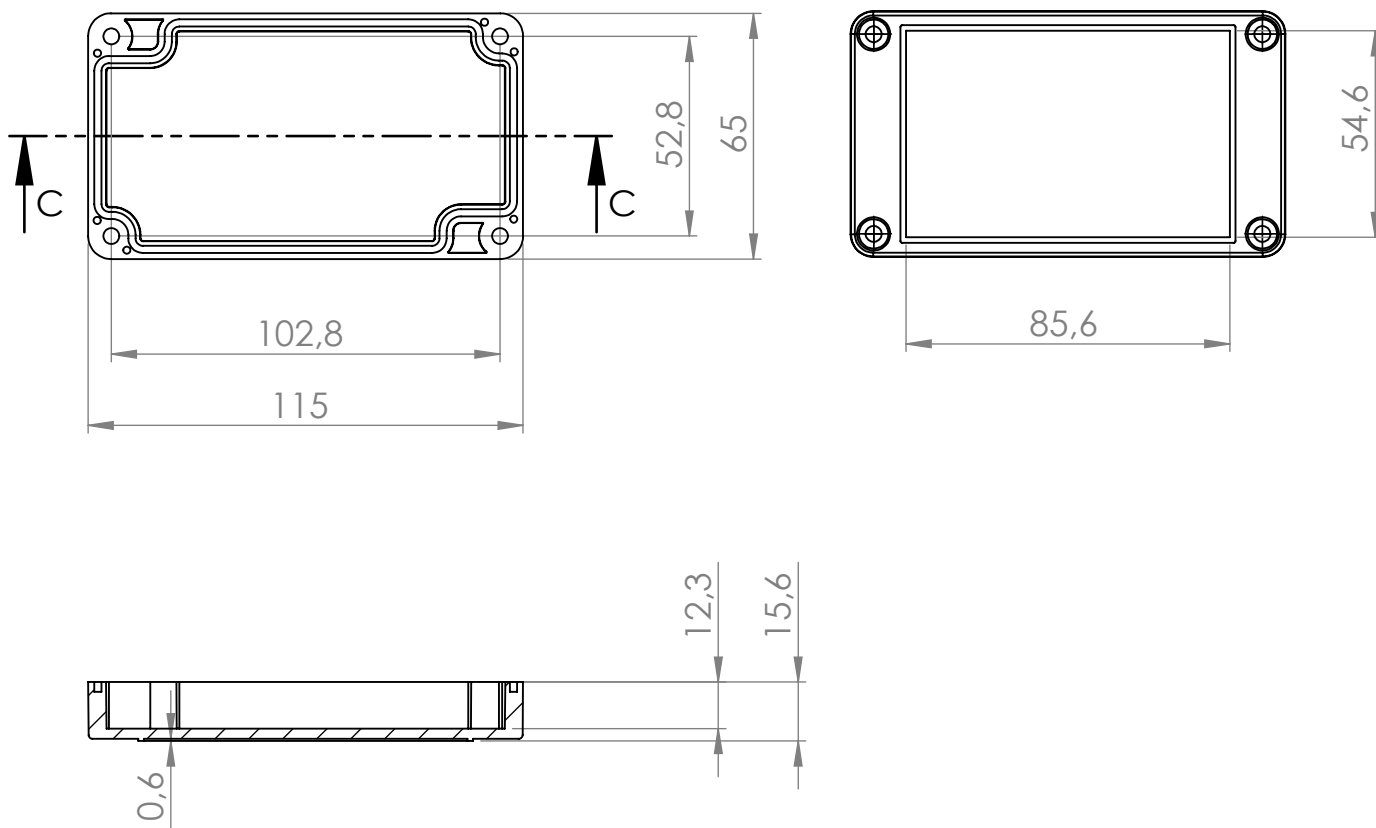
SECTION B-B



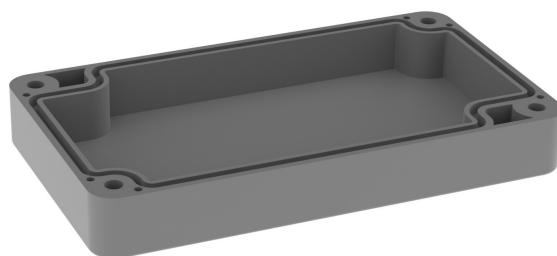
Dimensional tolerance  $\pm 0,5$  mm

|                             |              |  |
|-----------------------------|--------------|--|
| Format<br>A4                | Scale<br>1:2 |  <b>MASZCZYK</b> <sup>®</sup><br>PLASTIC ENCLOSURES<br>„MASZCZYK”<br>05-071 Sulejówek-Miłosna<br>ul. Mickiewicza 10<br>tel: (22) 783-45-20 kom: 602-726-086 |
| Product No.<br><br>TH - 210 |              |  |

cover



SECTION C-C



Dimensional tolerance  $\pm 0,5$  mm

|                         |              |  |
|-------------------------|--------------|--|
| Format<br>A4            | Scale<br>1:2 |  <b>MASZCZYK</b> <sup>®</sup><br>PLASTIC ENCLOSURES<br>„MASZCZYK”<br>05-071 Sulejów-Miłosna<br>ul. Mickiewicza 10<br>tel: (22) 783-45-20 kom: 602-726-086 |
| Product No.<br>TH - 210 |              |  |